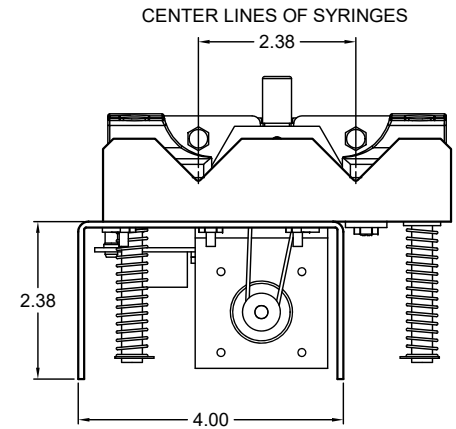
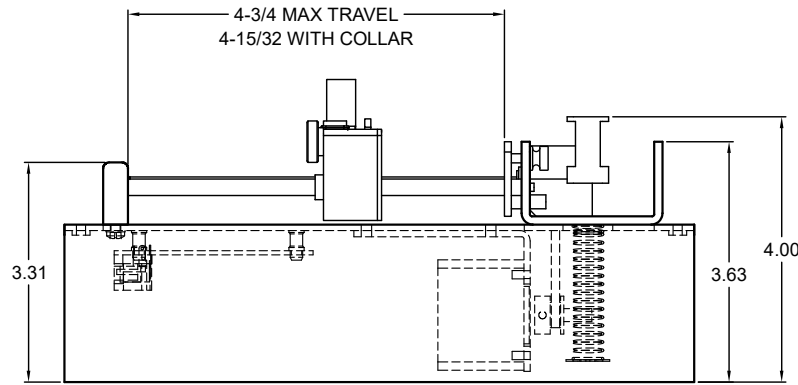
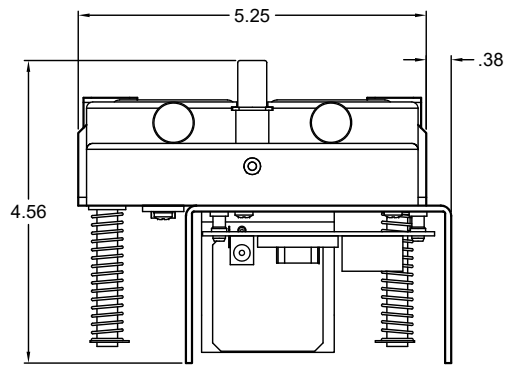
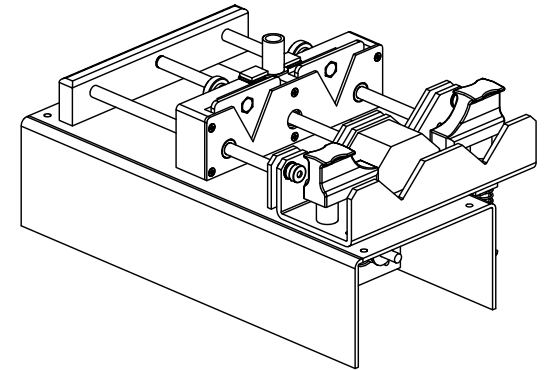
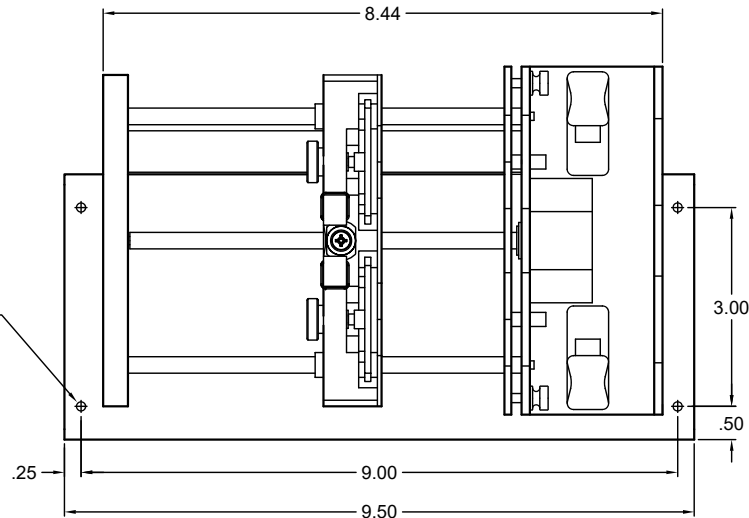


#6-32 MOUNTING HOLES
4 PLACES



New Era Pump Systems, Inc.

www.SyringePump.com

631-249-1392

info@syringepump.com

Title

OEM - 2 CHANNEL SYRINGE PUMP

Date 10/28/21

Pump Overall Dimensions

Part No.

Model NE-4500